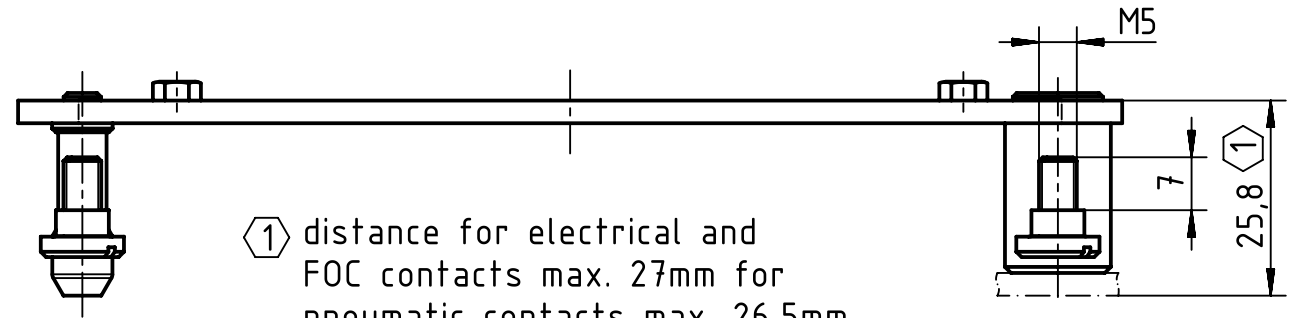
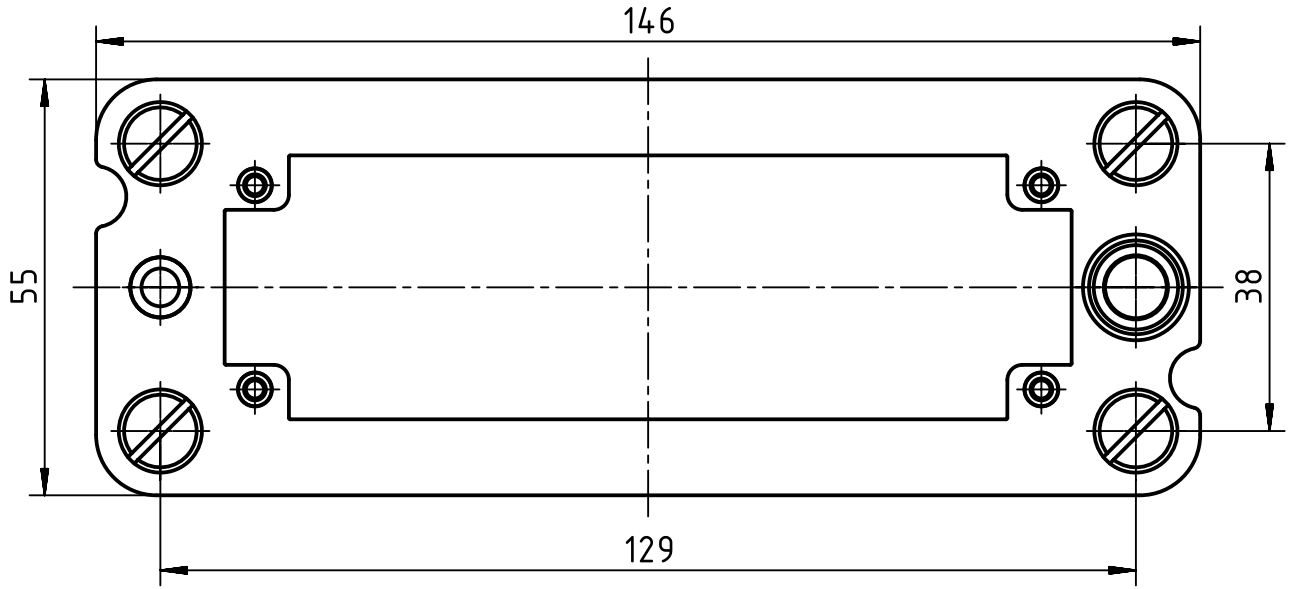
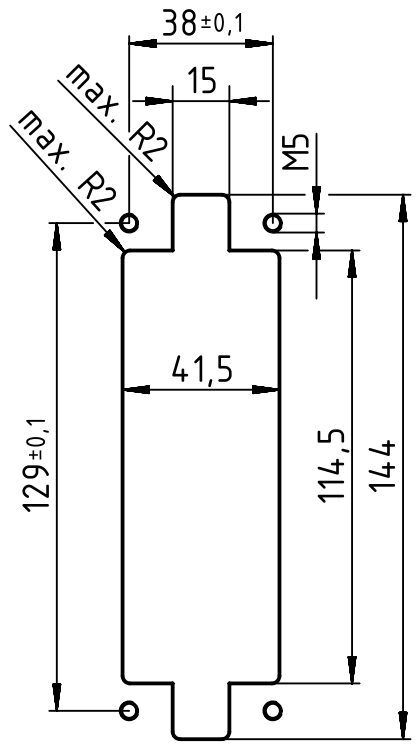
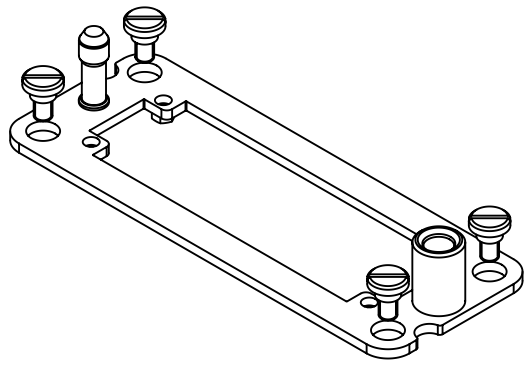



panel cut out
(1:2)



1 distance for electrical and FOC contacts max. 27mm for pneumatic contacts max. 26,5mm

kind of delivery: piece parts



	All Dimensions in mm Original Size DIN A4		Scale 1:1	Free size tol.		Ref.
	All rights reserved Department EL PD - DE		Created by FINKEV	Inspected by MOOR	Standardisation TIEMANNA	Date 2014-02-18
HARTING Electric GmbH & Co. KG D-32339 Espelkamp			Title Han 24 B Docking Frame			Doc-Key / ECM-Nr. 100129393/UGD/005/B 500000070385
			Type TB	Number 09 30 024 1701		Rev. B Page 1/1